

SPL Coat™ Laminin – Cell Culture Flask

(#77125/77175)

1. Description

SPL Life Sciences provides Laminin coated cell culture flasks with high quality. All Laminin coated flasks are produced with optically clear and high quality polymers for microscopy.

2. Features

- ❖ Source: Engelbreth-Holm-Swarm mouse tumor
- ❖ No washing required before use
- ❖ Shelf life: 3 months at 2 ~ 8°C (Do not freeze)

3. Product Range

Cat.No.	Cap Type	Growth Area (cm ²)	Working Volume (ml)	Packaging
77125	Plug	25.00	7.00	5 / 10
77175	Plug	75.00	25.00	5 / 10

4. Certification

SPL Life Sciences hereby certifies that the product identified above, inspected to be in compliance with product quality specification and requirements as documented in our ISO 9001:2008 Quality Management System (K-QA-Q031478) in Korea.

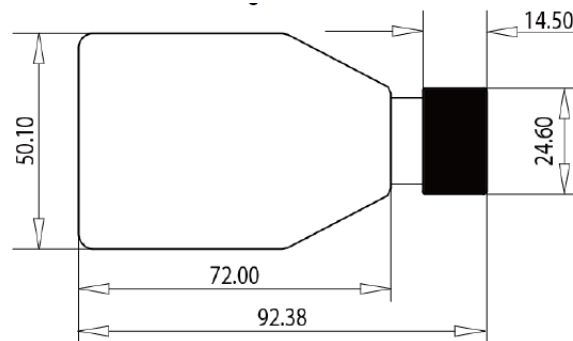
5. Specifications & Technical Drawing

(1) T25 Cell Culture Flask (# 77125)

- Specifications

Dimensions		Material (Resin)	Packaging
Cap	Body		
Width:	24.60mm	Crystal-grade polystyrene (PS)	<ul style="list-style-type: none"> • Pieces/Sleeve: 5 • Pieces/Case: 10
Height:	14.50mm		
	Length: 72.00mm Width: 50.10mm Height: 27.60mm		
Total Volume:		60.00ml	
Growth Area:		25.00cm ²	

- Technical Drawing

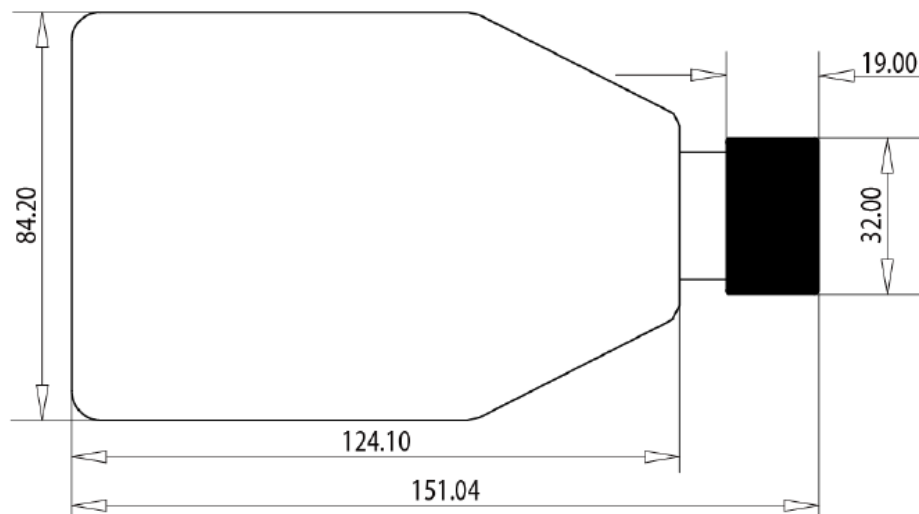


(2) T75 Cell Culture Flask (# 77175)

- Specifications

Dimensions		Material (Resin)	Packaging
Cap	Body		
Width:	30.00mm	Crystal-grade polystyrene (PS)	<ul style="list-style-type: none"> • Pieces/Sleeve: 5 • Pieces/Case: 10
Height:	19.00mm		
	Length: 124.10mm Width: 84.20mm Height: 39.60mm		
Volume per Flask:		250.00ml	
Growth Area:		75.00cm ²	

- Technical Drawing



www.spllifesciences.com

For technical assistance, contact SPL R&D Center at:

Tel: +82-31-533-4800; Fax: +82-31-533-1430; e-mail: spl@ispl.co.kr

To place an order, contact your local distributor or

Tel: +82-31-533-4800; Fax: +82-31-533-1430; e-mail: business@ispl.co.kr

SPL-TDS-CCF-LAM

For Research Use Only. Not intended for use in diagnostic or therapeutic procedures.
© SPL Life Sciences Co., Ltd., Version 6, June 27st, 2016